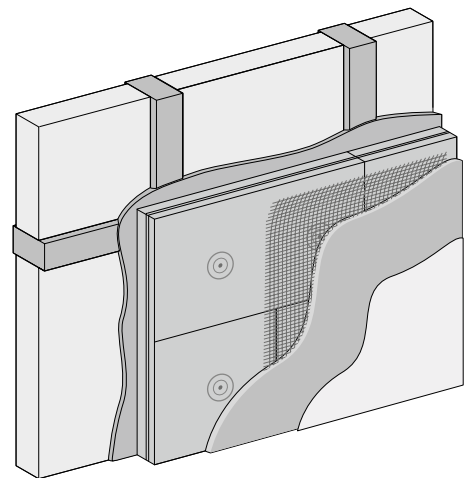


CLAYTEC HFD interior insulation board

09.440, 09.460, 09.480

09.440: Thickness = 40 mm, 09.460: Thickness = 60 mm,
09.480: Thickness = 80 mm

- Ecological interior insulation
- Ideal for masonry and timber-frame restoration
- Best moisture management, very breathable



Wood fibre insulation board for interior insulation of timber-frame houses and all other historical buildings. CLAYTEC HFD interior insulation boards are glued locally in a clay plaster levelling course or fixed with clay adhesive and reinforcing mortar. The soft boards decouple deformations in the construction from the interior plaster. They are inexpensive and suitable for many types of wall.

For technical consulting service teams
and sales see www.claytec.de
Product data and application
see reverse

GERMANY
Claytec e.K.
Nettetalter Straße 113-117,
41751 Viersen
Phone: +49 2153 918-0
www.claytec.de

CLAYTEC HFD interior insulation board

09.440: Thickness = 40 mm

09.460: Thickness = 60 mm

09.480: Thickness = 80 mm

Field of application Interior insulation for timber-frame and solid masonry exterior walls.

Composition Softwood FSC® certified, white glue to bond the layers.

Material parameters Bulk density approx. 160 kg/m³, compressive strength ≥ 50 kPa, thermal conductivity 0.040 W/mK, s_d thickness = 40 0.20 m / thickness = 60 0.30 m, fire behaviour according to DIN EN 13501-1: E

Composition and dimensions Insulation board with tongue-and-groove. Width = 0.40 m, length = 1.02 m (covered area 0.39 x 1.01 m), thickness = 40, 60, 80 mm.

Supply form Stacked and shrink-wrapped on pallets.

Storage Store in a dry and well-ventilated place, not under plastic. Protect carefully against moisture and condensation during transport and storage.

Amount required Approx. 2.6 boards/m². When calculating amount required, allow about 10% extra for wastage etc.

Processing Levelling courses thickness > 10 mm must be left to dry before installing the wood fibre insulation boards. The boards can be cut to size with a jigsaw or handheld circular saw. The lowest row of boards must be fitted with a gap to the floor. They are set using clay adhesive (CLAYTEC 13.555) on one side with 10mm notched filler or on both sides with 5-6 mm notched filler. Alternatively, they can be set in a malleable bed of mortar thickness = ≤ 10 mm of mineral clay plaster 16 or clay undercoat plaster.

The side on which the product name is not printed must face the room. The boards are pressed firmly into place. Ensure all-over contact with the substrate with as few defects as possible. The boards are fastened to wood substrates with screws and to solid substrates with rawlplugs. Insulating plates are used in each case. Anchorage depth in wood ≥ 40 mm, in solid building materials ≥ 60 mm. Each board is fastened at at least two points.

Fastening material CLAYTEC can offer screws for fastening in wooden beams and rawlplugs for fastening in masonry substrates. The requirements are 6-8 pcs./m² of interior board. It is advisable to keep different lengths on the building site. Sufficiently deep fastening ensures that the boards are pressed into the mortar bed over their entire surface. The pressure plates are equally suitable for screws and rawlplugs.

Artikel	Produkt	Lieferform	Bedarf
35.130/60-35.130/140	Screws L 60 - L 140	Box of 100/200 pcs*	6-8 pcs./m ²
35.140/100-35.140/160	Rawlplugs L 100 - L 160	Box of 100 pieces	6-8 pcs./m ²
35.150	Ins. board ins. plate, diameter = 6 cm	Box of 100 pieces	6-8 pcs./m ²

* 200 pcs. only L 60 and L 80

Subsequent processing The unprinted side should be plastered. If necessary, fill gaps of ≥ 1 mm in width with CLAYTEC clay adhesive and reinforcing mortar or clay topcoat fine and leave to dry. Carefully dust panels.

Thin layer coating: The surfaces are coated with a 3 mm layer of clay adhesive and reinforcing mortar. This can also be sprayed on using a plastering machine; if this application method is used, rest periods are not necessary. Flax or glassfibre meshes are spread flat and worked into the surface while it is still wet. Properly apply YOSIMA clay designer plaster after drying. Produce the reinforcement layer very carefully for YOSIMA colour clay surfacer or CLAYFIX clay paint system (= fill the drill holes and indentations before starting and allow these points to dry); it is more advisable to apply a thin layer of clay topcoat fine.

Thick layer coating: Pre-treat the areas with RED primer. Apply clay undercoat plaster with straw, clay plaster mineral or SanReMo to the walls in a layer thickness not exceeding 8 mm and to ceilings or sloping roof surfaces in a layer thickness not exceeding 5 mm. Flax or glassfibre meshes are spread flat and worked into the surface while it is still wet. Leave to dry. Total thickness of the plaster structure is 15 mm at max. for walls and 10 mm at max. for ceilings and inclined roofs (at least two layers in each case).

Wall panel heating: Prepare the areas with RED primer or by notched plastering using clay adhesive and reinforcing mortar. Leave to dry. Before starting, spray one of the above clay mortars onto the surface to a maximum thickness of 8 mm. After drying, fill the gaps as far as the pipe clamp for the wall heating. Apply heat to dry the entire basecoat layer. For further instructions, refer to the CLAYTEC clay plasters worksheets.

Notes Please refer to the CLAYTEC 'Interior insulation worksheet' for tips on dimensioning, preparation and detail development.

The absorption property of wood fibre insulation boards is much lower than that of solid building materials such as bricks, which is why safe drying has to be planned and monitored very carefully with thick layers of plaster; see CLAYTEC 'Clay plasters worksheet'.