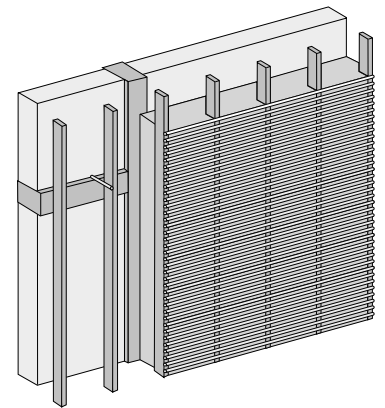


## Light clay

### Item No. 03.011, 03.040

03.011 Woodchip light clay, 03.040 Light expanded clay

- Pourable installation for varying thicknesses
- Organic or mineral-based
- Non-settling



Woodchip light clay



Expanded light clay



Woodchip light clay is poured wet into interior shells, for example in applications where the inner surfaces of outer walls feature large projections and recesses or if installations need to be fitted. Woodchip light clay is ecologically friendly and forms stable structures. Expanded light clay dries faster and is not flammable.

## Light clay

### Item. No. 03.011 Woodchip light clay

### Item. No. 03.040 Light expanded clay

**Clay product type** Light clay according to section 3.5 of the German national earth building association standards (Dachverband Lehm, Lehmbau Regeln).

**Field of application** Light clay for interior-insulating facing shells for timber-framed houses and other old buildings.

**Composition** Woodchip light clay: natural building clay, woodchips (spruce/fir)  
Light expanded clay: natural building clay, expanded clay granulate 4-16 mm

**Material parameters** Woodchip light clay: dry gross density with normal installation 600 kg/m<sup>3</sup> ( 0.17 W/mK,  $\mu$  5/10) Light expanded clay: dry gross density with normal installation 700 kg/m<sup>3</sup> (thermal conductivity 0.21 W/mK,  $\mu$  5/10), building material class A1

**Delivery forms** Woodchip light clay ready for application in 0.9-t Big Bags, Light expanded clay in 1.0-t Big Bags

**Storage** Protect against dehydration or humidification by the weather.

Woodchip light clay must be processed within 2-4 weeks after delivery, which takes place shortly after production.  
Light expanded clay can be stored for longer, as the aggregates do not decompose.

The consistency may change due to drying out and clumping. Rewet and remix if necessary.

**Material requirement** One Big Bag of woodchip light clay yields approx. 0.9 m<sup>3</sup> light clay structural component, light expanded clay approx. 1.0 m<sup>3</sup>.

**Processing** The material is installed either behind or between wide-meshed lost formwork (reed matting ST70, CLAYTEC 34.001). The grid dimension of the substructure required for fixing the reed matting must not exceed 35 cm. The matting is attached using galvanised clamps and additional galvanised wire. The base wire of the matting is not suitable for attachment. **Clayboards must not be used as lost formwork.**

The light clay is ready for processing on delivery. It is shovelled or forked in and compacted using simple tools (pieces of batten or the like) until the shell is full and void-free. Light clay is not rammed. It is not intended to be compressed to maximum density. When beginning the work, frequently check the quality of the filling and whether the reed matting is adequately attached.

**Drying** The drying time of light clay depends on the structures, wall thicknesses and weather conditions. If observing a one-sided drying depth of 15 cm, a minimum drying time of 8 to 12 weeks must be allowed before any subsequent processing. Light expanded clay may dry more quickly.

**Rapid drying must be ensured after installation. Drying can be achieved using cross-ventilation (open all windows and doors to create a through-draught 24 hours a day) or using drying equipment.**

Microbiological background concentration: product 03.011 with plant fibres, earth-moist. Product 03.040 purely mineral-based, earth-moist.  
For more details, see [www.claytec.de/produkte/downloads](http://www.claytec.de/produkte/downloads), article Wohnung + Gesundheit. Please note that we cannot guarantee that the delivered material or the dry building element will comply with specific values.

If mould forms on the surface, drying must be accelerated immediately, usually using drying equipment. We would be pleased to provide separate information on the further treatment of affected areas.

**Post-treatment** Light clay walls must only be plastered or clad once drying is largely complete. As a rule, visual inspection is sufficient to evaluate dryness.

The reed matting used as lost formwork is a good plaster lath for clay plasters and other renders. The plasterwork is usually executed in two layers with reinforcing mesh (see worksheet 6.1 Clay plasters).

**Note** Woodchip light clay and Light expanded clay are not suitable as filling material between vertical masonry and similar wall panels, as damage-free drying is not guaranteed.

**For instructions on working with this product as well as additional information from the worksheet 'Interior insulation' see:**

Woodchip light clay



Light expanded clay

